

Nautel's NV and VS Series transmitters now support Nautel's UG132 power supplies

Overview

To ensure a long service life for your NV Series and VS Series transmitters, Nautel has created an adapter that enables the use of Nautel's UG132 power supplies in your transmitter. The UG132 power supply is the same proven, reliable, and efficient power supply used in Nautel's popular GV and NV^{LT} transmitters.

Improvements / Enhancements:

- Long manufacturing and support life
- High reliability
- Interchangeable with GV and NVLT transmitters
- Improved efficiency
- Comprehensive front panel alarm /status indication LEDs

Contents

- NV Series UG132 Considerations
- VS Series UG132 Considerations
- Frequently Asked Questions

Nautel Customer Service

Toll Free Customer Service: 1 (877) 628-8353

Email: support@nautel.com | Web: support.nautel.com

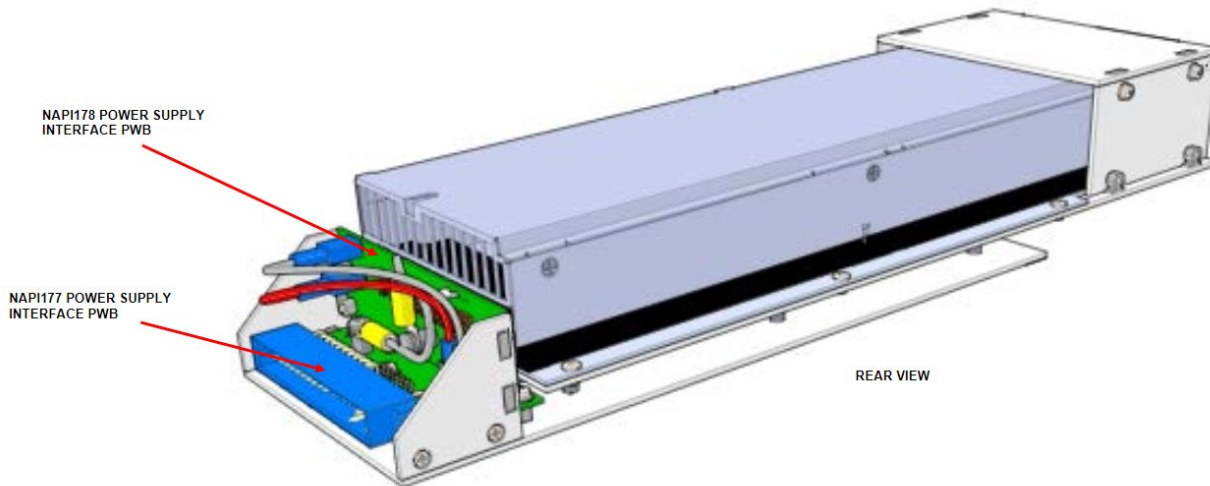
NV Series UG132 Considerations:

To use the UG132 power supply in your NV Series transmitter requires an NAS70 adapter for each UG69 power supply replaced. Once a power supply slot is equipped with the adapter, that slot is configured to accept UG132 power supplies. No software update is required to take advantage of the UG132 power supply.

- NV Series - please refer to the latest revision of Field Modification document FM20003 for more details



For the NV a UG132 Power Supply and NAS70 adapter (may not appear exactly as shown)

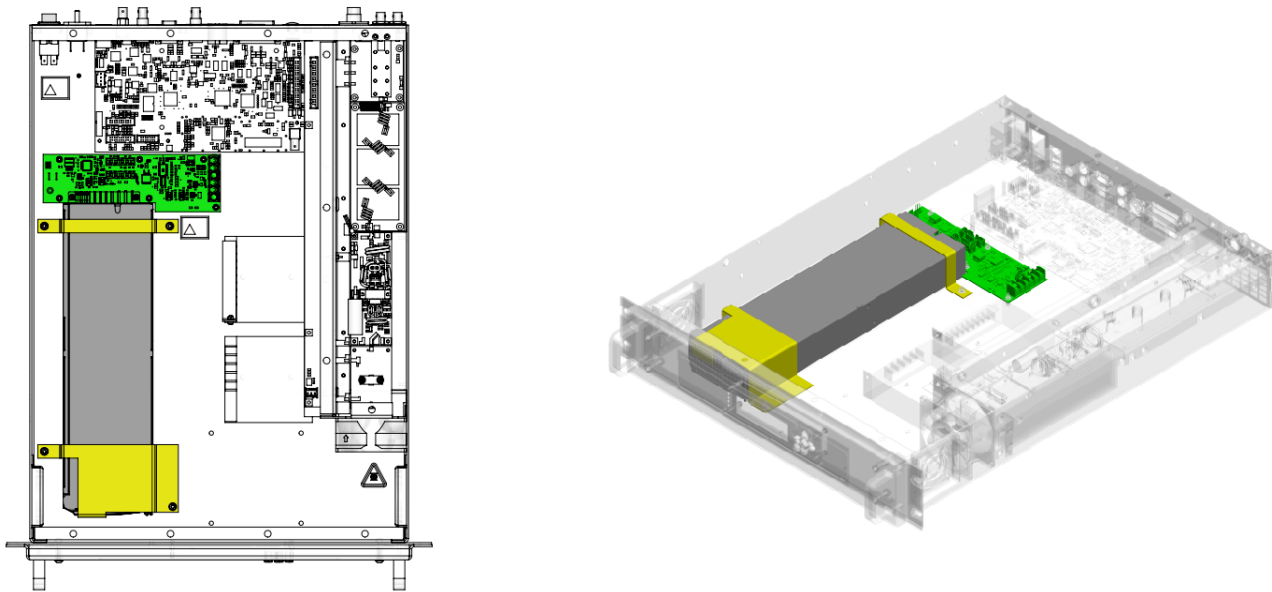


VS Series UG132 Considerations

To use the UG132 power supply in your compatible VS Series transmitter requires replacement of your existing UG69 power supply(ies) and associated Power Supply Distribution PWB. Once this field modification is complete, your transmitter is configured to accept UG132 power supplies. A transmitter software update is required to take advantage of the UG132 power supply.

VS Series - please refer to the latest revision of the appropriate Field Modification document based on your transmitter model below:

- VS300/VS300-LPFM document **FM22004**
- VS1 document **FM22005**
- VS2.5 (2-PS) document **FM22006**
- VS2.5/VS3 (3-PS) document **FM22007**

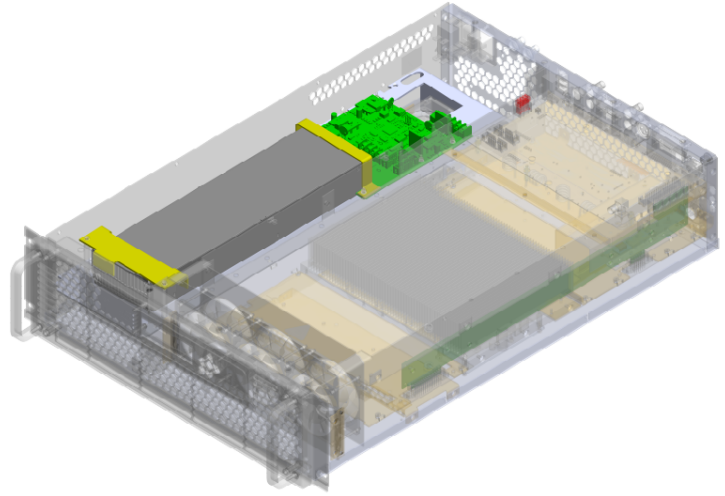
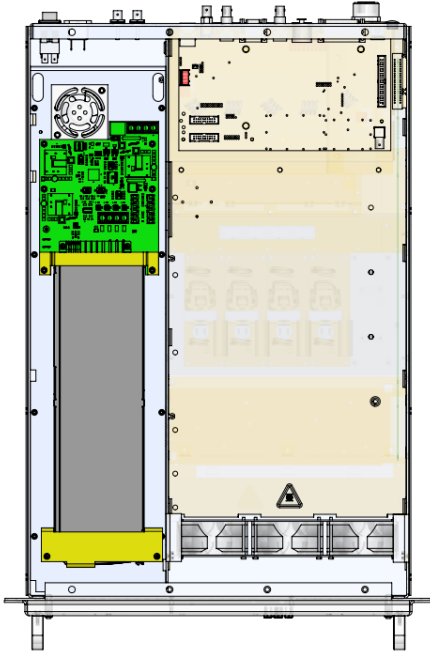


VS300/VS300-LPFM (VS300 shown) modified to use UG132 and associated Power Supply Distribution PWB

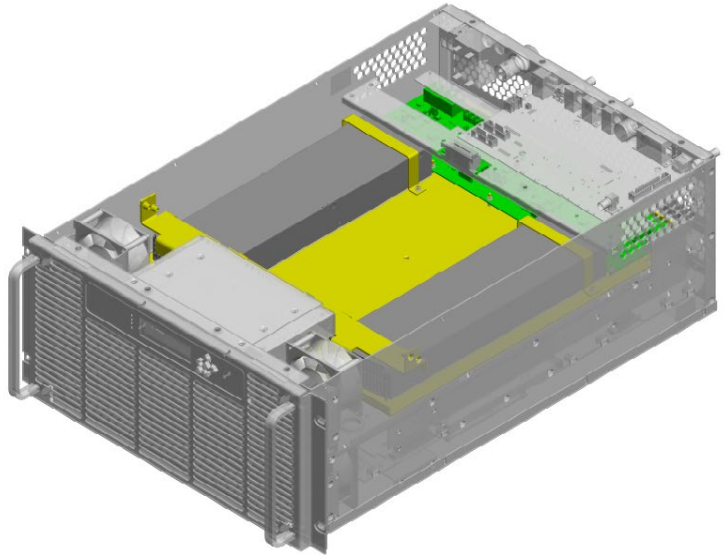
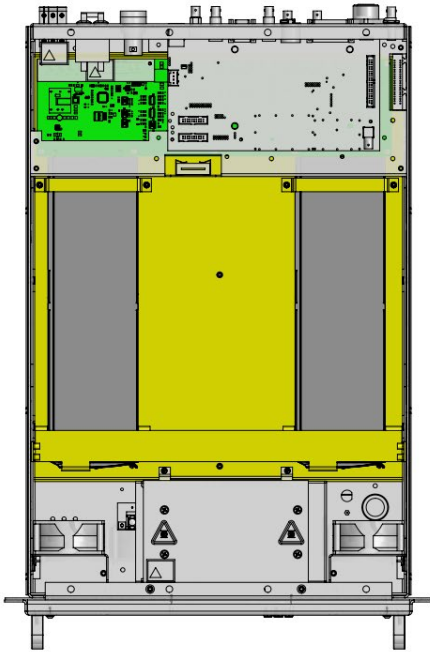
Nautel Customer Service

Toll Free Customer Service: 1 (877) 628-8353

Email: support@nautel.com | Web: support.nautel.com



VS1 modified to use UG132 and associated Power Supply Distribution PWB



VS2.5/VS3 modified to use two UG132 power supplies and associated Power Supply Distribution PWB

Nautel Customer Service

Toll Free Customer Service: 1 (877) 628-8353

Email: support@nautel.com | Web: support.nautel.com

Frequently Asked Questions

Q: Can I send my UG69 power supply in for repair?

A: Yes, please reach out to Nautel Customer Service to obtain a RMA and shipping address for the repair service.

Q. Is the UG69 power supply still generally available for purchase?

A. No, the UG132 will become the standard power supply going forward for all VS, NV, NVLT, and GV Series transmitters.

Q. Why is Nautel implementing this change?

A. Standardizing on the UG132 power supply offers an excellent long service-life choice for VS and NV Series transmitters.

Q. Can I mix and match UG132 and UG69 power supplies in the same transmitter?

A. Within NV, any combination of UG69 and NAS70 adapter can be used, as long as the requirements of the associated FM20003 are adhered to. Within VS, no, the field modification replaces all UG69 power supplies with UG132.

Q. Will the AUI recognize this new power supply and display similar information and alarms?

A. Yes, the new power supply will be recognized as equivalent to the original power supply.

Q. Is there any operational impact when I use these power supplies and/or adapters?

A. Yes, for NV, based on the number of UG69 power supplies replaced with NAS70 adapters, the minimum power set-point specification of the NV transmitter will increase gradually, as the minimum output voltage of the UG132 power supply is higher at 18V vs. 6V for the UG69. This results in an increased minimum output power set-point specification of up to 9 times the current value; however, if required, power supplies and RF modules can be disabled in order to reduce the output power of the transmitter further. This is outlined in Field Modification document FM20003.

For VS, there is no operational impact when using UG132.

Q. How reliable will this new power supply be?

A. Based on field experience, it is our expectation that the new UG132 power supply will have superior reliability vs even the most recent versions of the UG69 power supplies.

Q. Will the new power supply be hot swap?

A. For NV, yes, the adapter is hot swappable, as is a replacement UG132 power supply within the adapter.

For VS, no, the Field Modification must be performed while off-air and any subsequent power supply replacements require the transmitter to be off-air, no different than current expectations.

Nautel Customer Service

Toll Free Customer Service: 1 (877) 628-8353

Email: support@nautel.com | Web: support.nautel.com

Q. Will there be any impact on the operating temperature of my transmitter?

A. Given that the new power supply is slightly more efficient than the UG69 that it replaces, a transmitter will run at a similar or even cooler operating temperature as more of the new power supplies are installed in NV, or post modification for VS

Q. What will be the warranty on the new part and power supply?

A. Nautel's standard warranty for replacement parts is 90 days.

Q. The UG132 power supply looks to be a bit longer than the UG69 that it will replace. How is that accommodated?

A. Within NV, the UG132/NAS70 combination will protrude approximately 4.10 inches (104.1 cm) beyond where the UG69 chassis face would have been located and 3.09 inches (78.6 cm) beyond where the outer portion of the UG69 chassis handle would have been. These considerations have been carefully factored into Nautel's design verification of the UG132 and NAS70 to ensure adequate physical spacing and airflow. Any restrictions with your transmitter configuration or version are outlined in the associated Field Modification document FM20003.

For VS, the existing transmitter design supported the additional length and the associated Field Modification accounts for any required adjustments. As a result, there are no physical spacing or airflow concerns.

Q. Are there special slot restrictions or any other restrictions to consider when replacing UG69 with UG132 power supplies?

A. For most customers there will be no restrictions. However, for a small group of NV Series transmitters there are some power supply slots where the protruding assembly of the NAS70+UG132 will conflict with the AUI/cooling modification installed on the inside of the front door that mounts the 17" AUI touchscreen. These customers can continue to use UG69 power supplies in these slot locations and use the UG132 in locations without cooling or physical conflicts. If you believe your system may be subject to these restrictions, you are encouraged to refer to Field Modification FM20003 document for specifics or contact Nautel Customer Support.

There are no restrictions within VS post the modification.

Q. When will this new power supply solution be available?

A. UG132 and NAS70 are available immediately.

The VS solution can be ordered immediately with shipments expected October 2021.

Please be sure to review and understand the complete set of instructions prior to beginning your upgrade.

Contact Nautel Support by phone, email, or online chat if you have any questions or concerns.

Nautel Customer Service

Toll Free Customer Service: 1 (877) 628-8353

Email: support@nautel.com | Web: support.nautel.com